

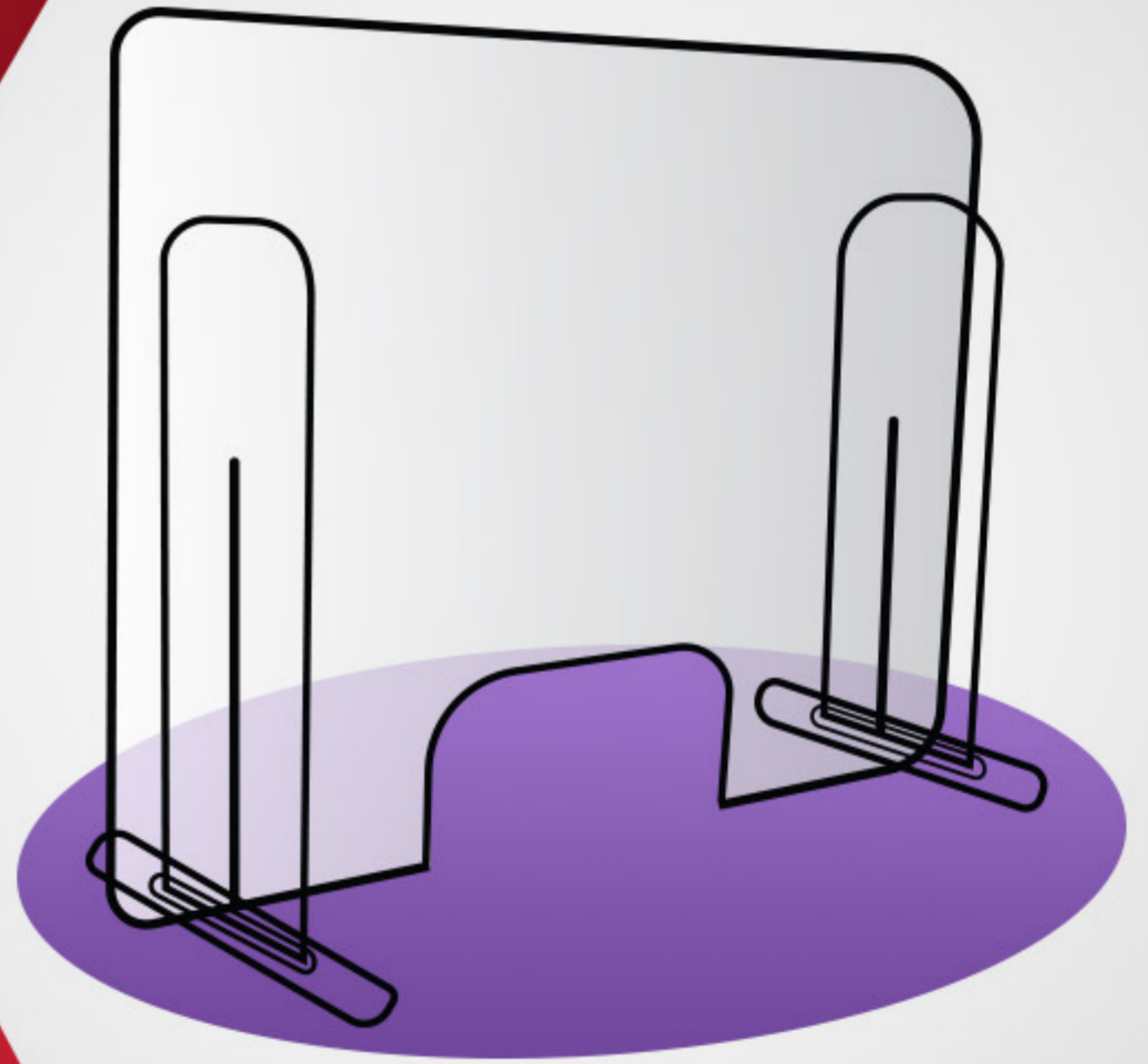


www.acrylicsheetsales.com.au

 nicole@cdclaser.com.au

 08 9409 3834

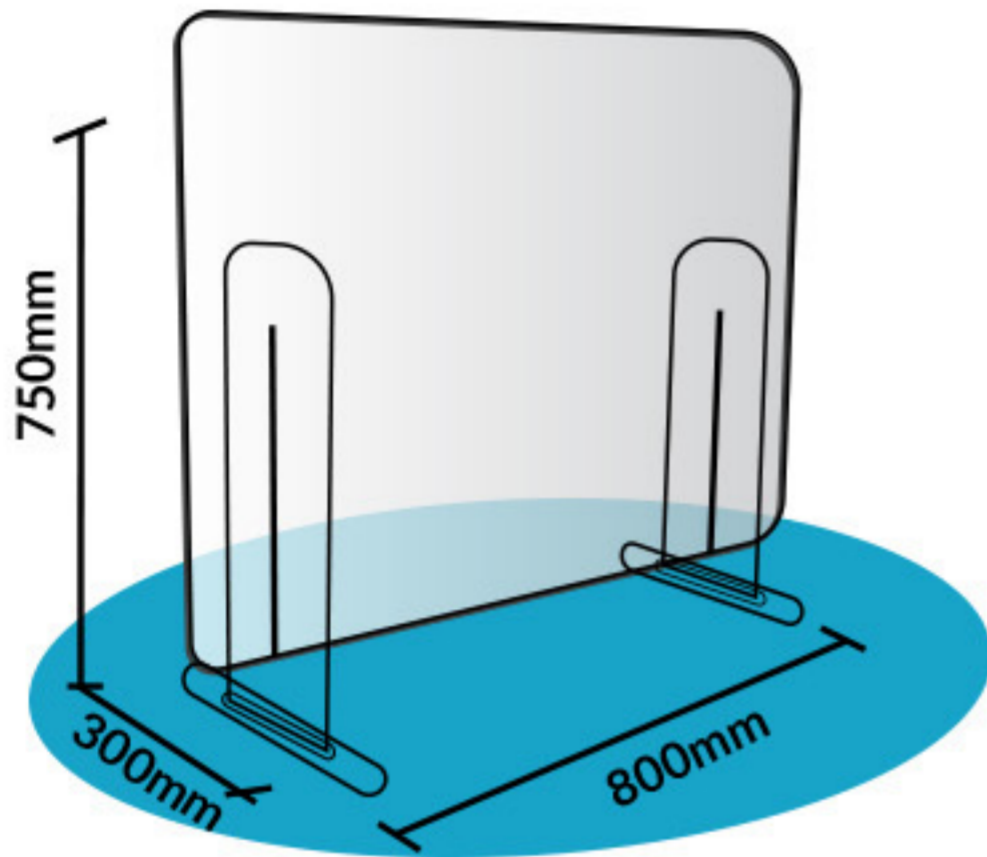
 CDC Laser



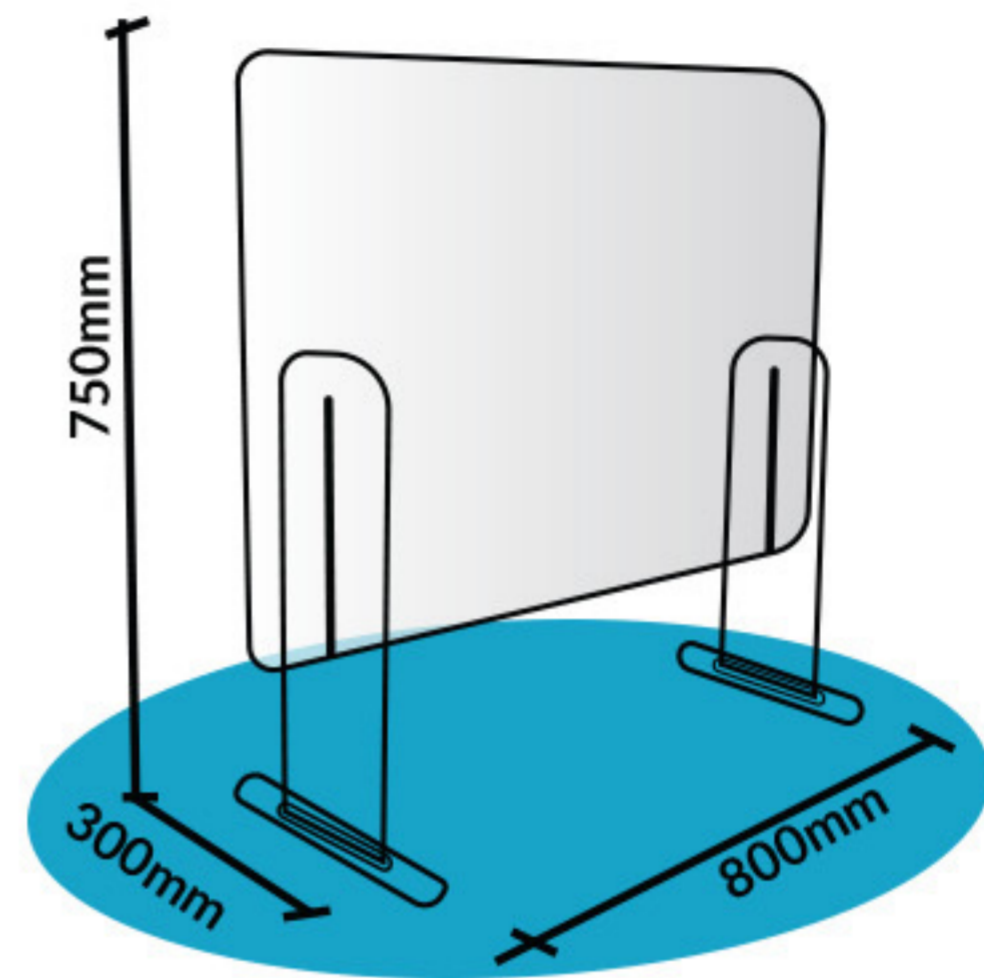
CATALOGUE CDC LASER
Acrylic Sneeze Guard Screen



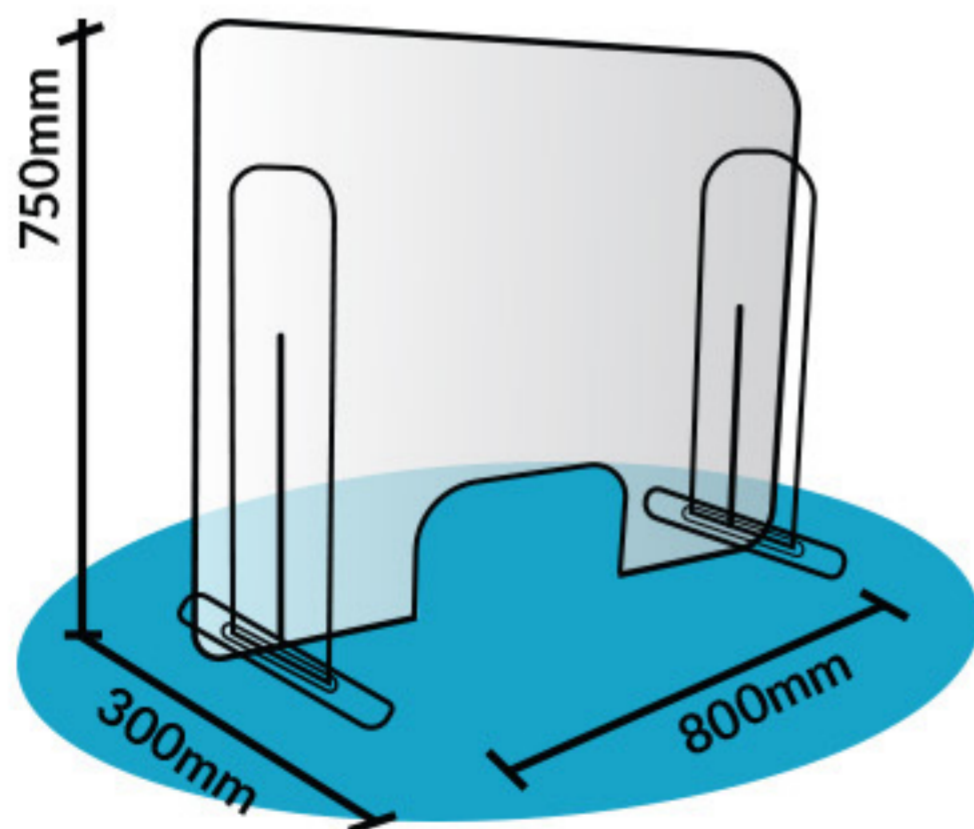
www.acrylicsheetsales.com.au



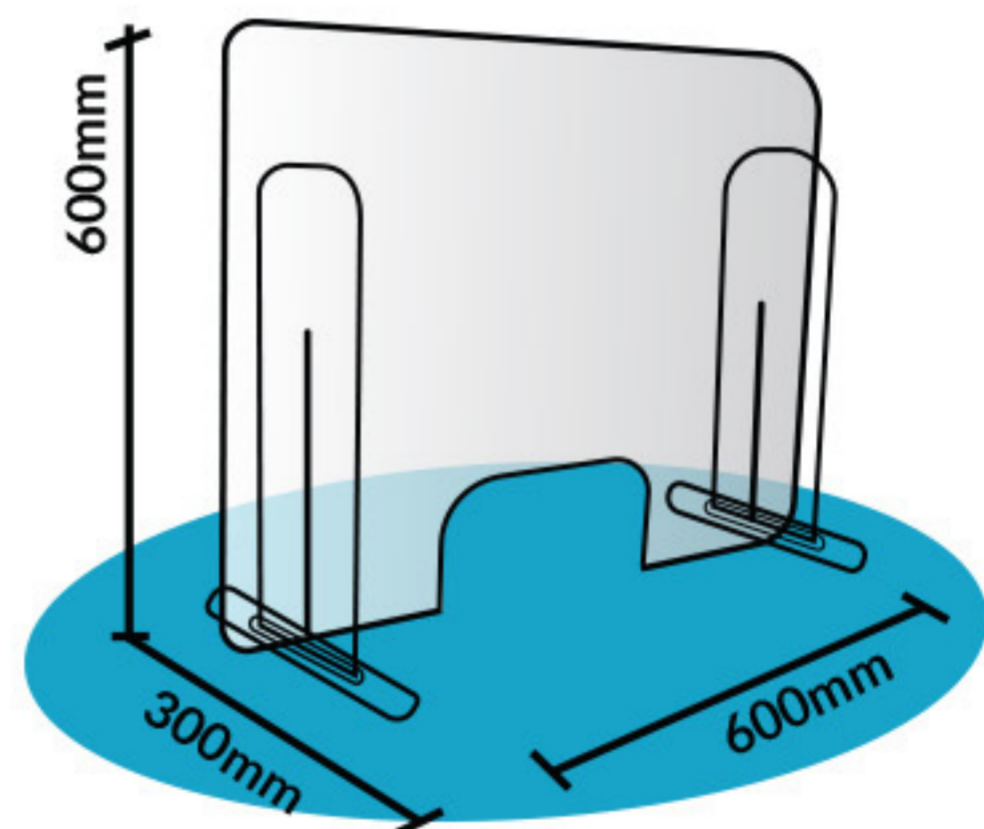
FULL SCREEN SNEEZE GUARD



3/4 SCREEN WITH ACCESS



FULL SCREEN/CUT-OUT AREA



SMALL SCREEN/CUT-OUT AREA

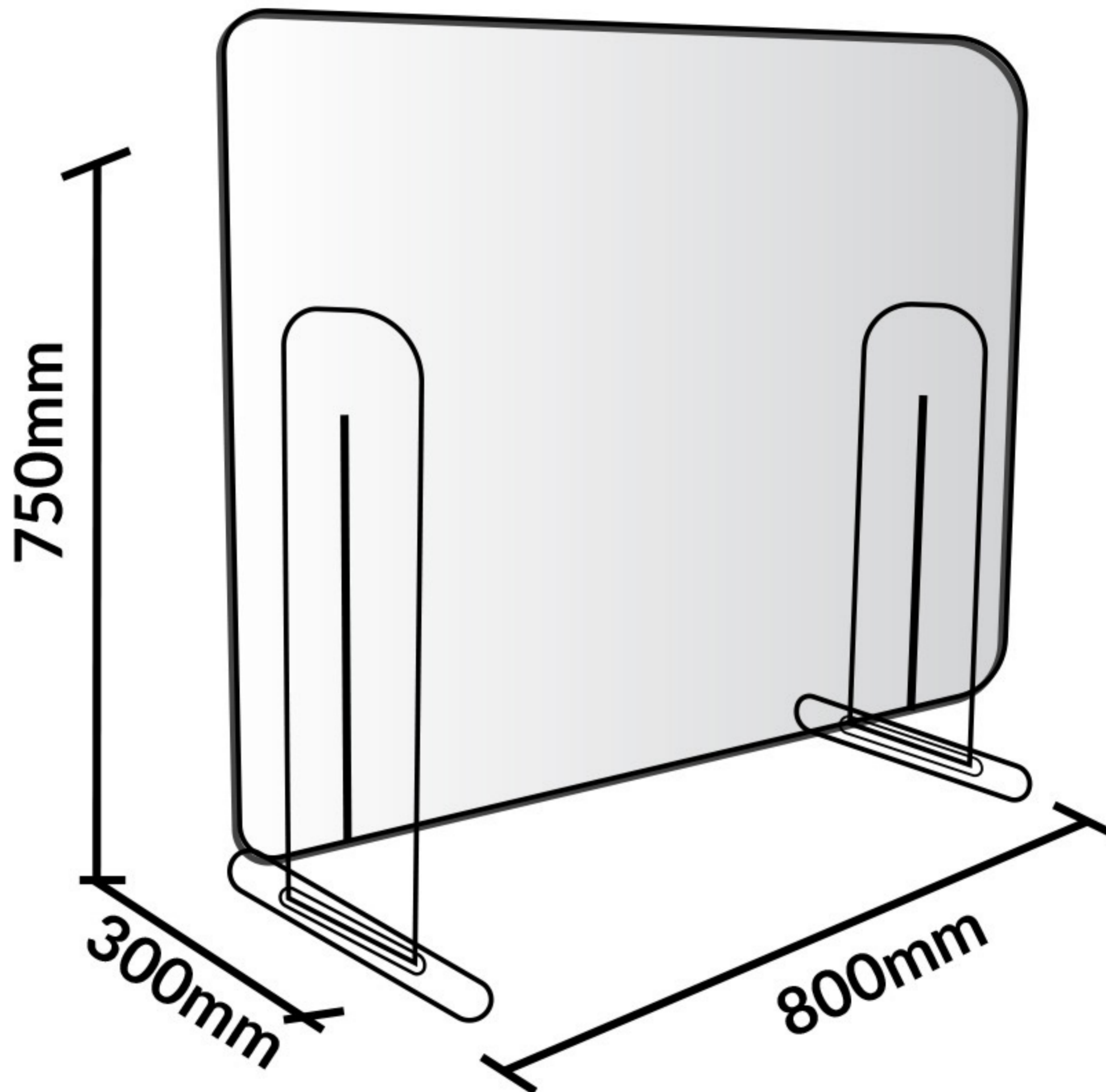


Call US NOW
Counter Sneeze Guards

08 9409 3834

FULL SCREEN SNEEZE GUARD

Code : sneezeguard-fullscreen



The base of the Sneeze Guard is
750mm high x 800mm wide x 300mm depth



ORDER NOW!

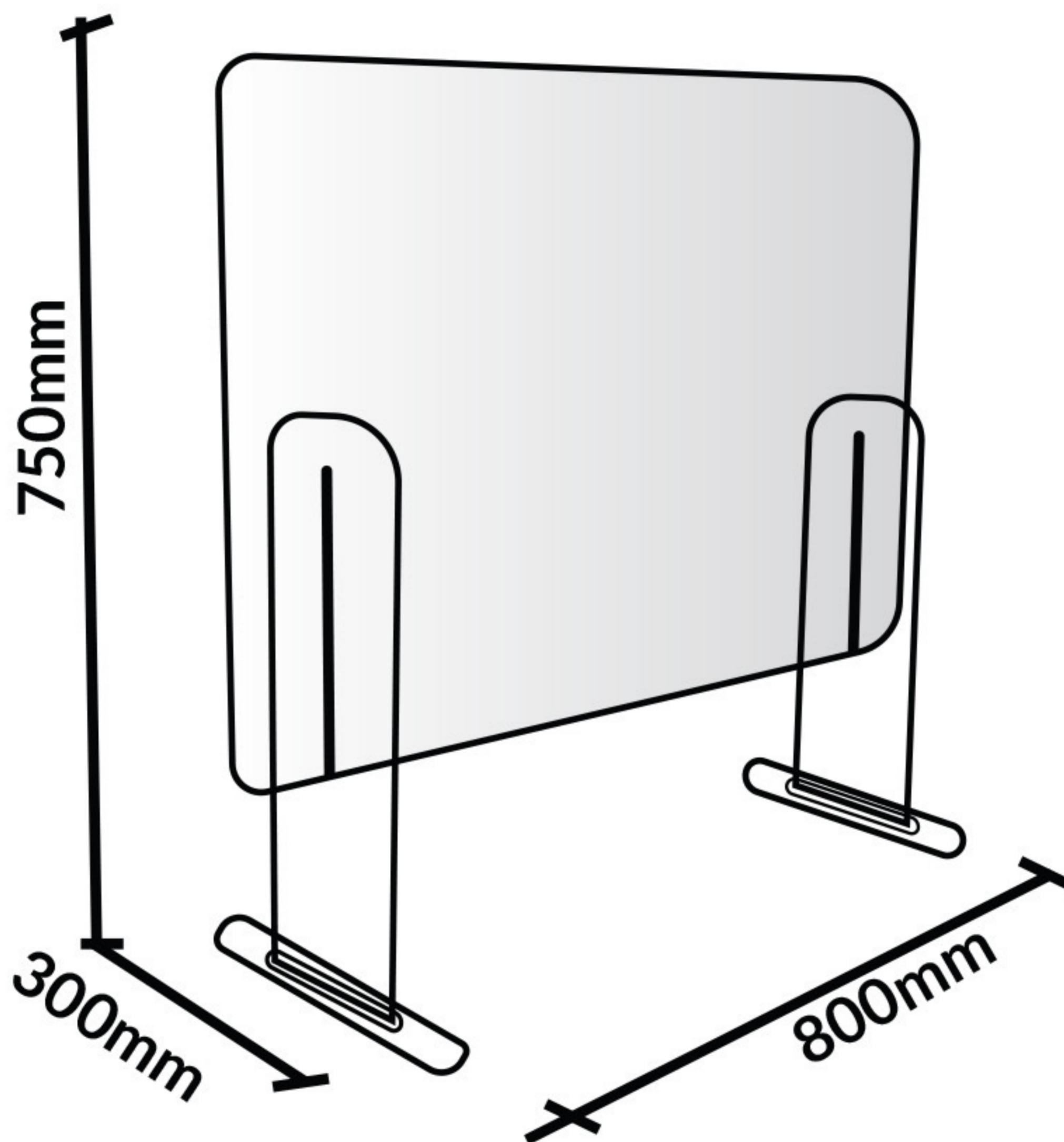
✉ nicole@cdclaser.com.au

☎ **08 9409 3834**

www.acrylicsheetsales.com.au

3/4 SCREEN WITH ACCESS

Code : sneezeguard-34screen-access



The base of the Sneeze Guard is
750mm high x 800mm wide x 300mm depth
The gap between screen and countertop is 175mm



ORDER NOW!

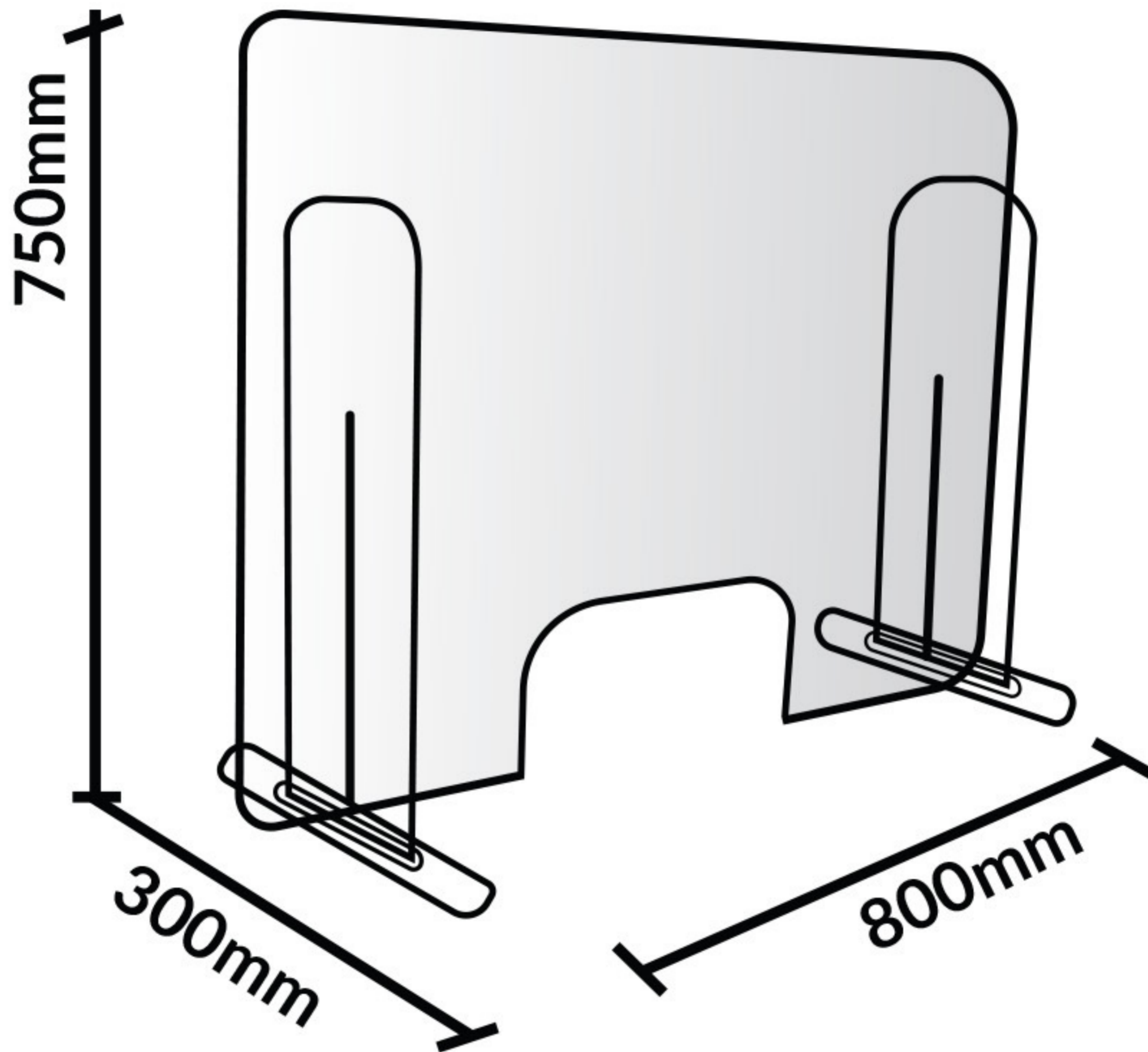
✉ nicole@cdclaser.com.au

☎ 08 9409 3834

www.acrylicsheetsales.com.au

FULL SCREEN/CUT-OUT AREA

Code : sneezeguard-fullcut-140



The size of the Sneeze Guard is
750mm high x 800mm wide x 300mm depth
300mm x 150mm opening small



ORDER NOW!

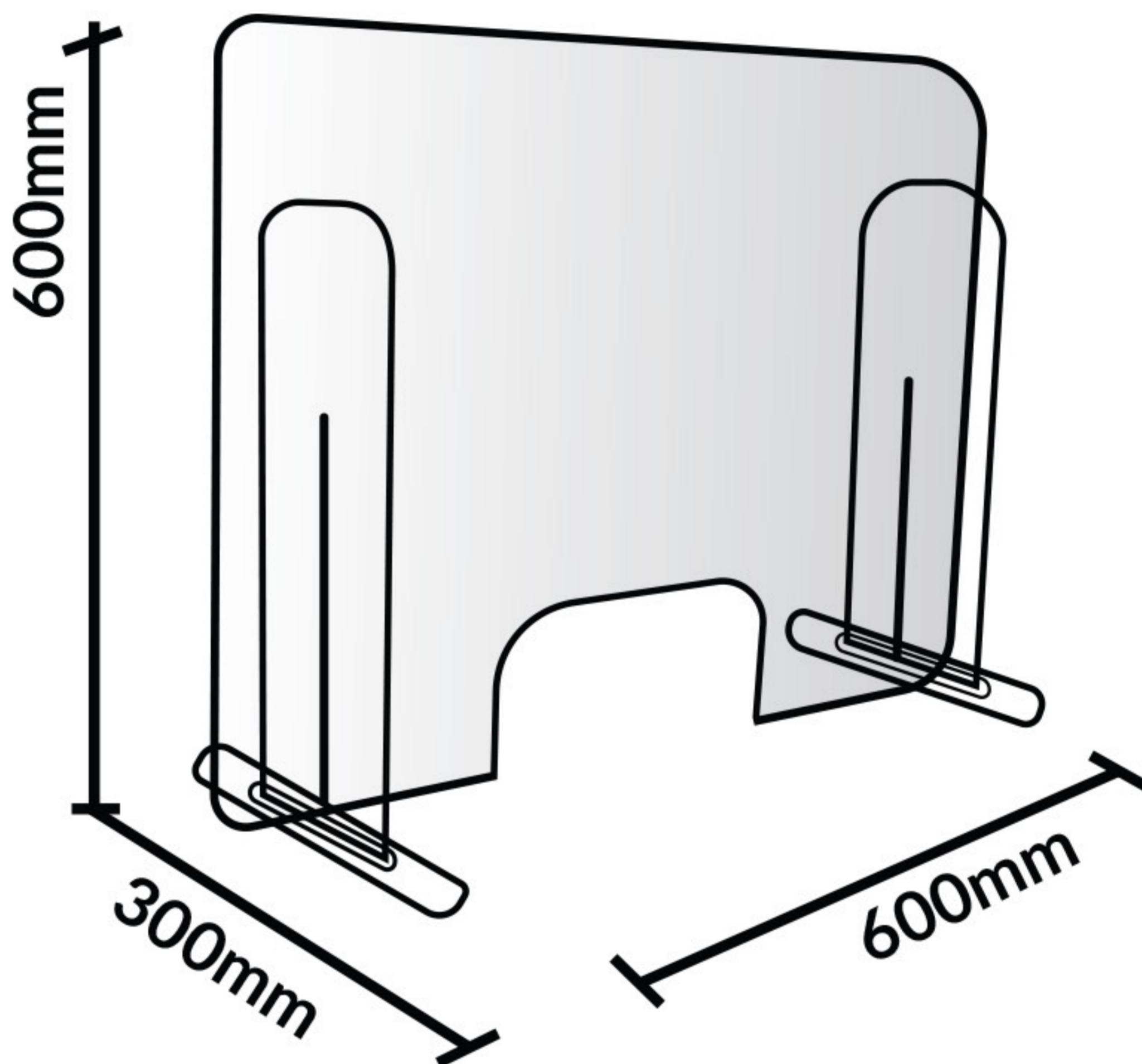
✉ nicole@cdclaser.com.au

☎ 08 9409 3834

www.acrylicsheetsales.com.au

SMALL SCREEN/CUT-OUT AREA

Code : sneezeguard-smallcut-90



The base of the Sneeze Guard is
600mm high x 600mm wide x 300mm depth
300mm x 150mm opening small



ORDER NOW!

✉ nicole@cdclaser.com.au

☎ 08 9409 3834

www.acrylicsheetsales.com.au



www.acrylicsheetsales.com.au



CHANNEL LINK
youtu.be/rpZd42F-_BU



 [CDC Laser](https://www.youtube.com/channel/UC...)

 [SUBSCRIBE](#)

CHANNEL URL
youtube.com/watch?v=1Jl03ql89XI



www.acrylicsheetsales.com.au

Custom Sneeze Guards

The full Counter Sneeze Guards 750mm x 800mm with two 6mm post stands, comes in a kit to complete the DIY installation. The kit comes flat packed to make it easy and safe to ship. You will get step by step instructions on installation. Industrial double-sided tape as an option to hold the sneeze screen to the counter and we have also included cleaning instructions and a micro fibre cloth. This is really the perfect acrylic screen to use on a reception desk or to be used to divide customer counters.



We have sold the screens to pharmacies, doctor surgeries, government offices, accountants, hamburger shops, take away food order outlets, clothing and beauty shops along many other businesses. We have found this design to be also suitable to use for schools' reception counter screens. If you own a nail salon and are looking for purpose made screens to fit Dremel, UV lamps etc to fit under the barrier.

What makes this screen so much better is the construction? We use 6mm clear acrylic for the stands and base. Using the thick acrylic stands gives the screen a much stronger and sturdy free-standing performance. The screen itself is made from 3mm acrylic.



Call US NOW
Counter Sneeze Guards

08 9409 3834



We can ship same day in most cases Australia wide You may need us to make a custom size and we can do that as well. the maximum size we can cut is full sheet size 2440mm x 1220mm. We use a high-powered laser that give a perfect edge.

SIMILARLY, IF YOU WANT A CUSTOM SIZE MADE, PLEASE CONTACT US NOW AND WE WILL BE HAPPY TO HELP YOU OVER THE PHONE OR BY EMAIL